



The NX latch lock is an access interlock which is suitable for use on hinged and sliding doors. The interlock is manufactured in stainless steel, making it ideal for use in harsh or corrosive environments and heavy use.

Typical industries using the NX latch lock are food, chemical, pharmaceutical, mining, steel and power generation.

The NX latch lock is available with multiple configuration (Key exchange, or more than one key to get access).



Trapped Key Interlocks



INDUSTRY



ENERGY



Railway

USAGE

The NX Access Interlock can be used to allow safe access to potential hazardous and dangerous areas.

The NX Access Interlock can be used with one key on part body access doors where the use of personal safety keys is not essential or with 2 keys (pocket key) on full body access doors where the use of personal safety keys is essential (to prevent accidental lock in).



The NX Access Interlock is not designed for security purposes, such as a safe or external access to a building.

INSTALLATION



A safety lock must be fitted with suitable fasteners.

Important:

To prevent unauthorized removal, the lock must be mounted using rivets or M5 stainless steel safety fixing screws (washers, nuts and screws).

The installation must be carried out by a competent and qualified person who has read and understood these instructions.

In case of vibrations, contact STI.

MAINTENANCE

Periodic visual checks should be carried out to check for deformation or corrosion/erosion/acid aggregating by the site manager/safety officer. Clearing the marking/closing of the lock attachment.

Do not lubricate lock barrel with oil or grease, use Powder Graphite if necessary.



In case of defects being detected please contact your nearest Serv Trayvou Support Department for further actions. Please see Contact section for contact details.

TECHNICAL DATA

Temperature rating	Contact STI for details
Weight	1, 2 kg
Material	- Stainless steel 304 - Flip cap gasket: Cellular silicon - Marking plate: Aluminium (stuck) Brass (riveted or stuck) - Plate glue: Acrylic - Loctite AA330 - Latch: Stainless steel 304
Product finish	Cover plate: Red (RAL 3000) polyester paint
Homologation	Contact STI for details
Salt spray resistance	Contact STI for details
IP Rating	Contact STI for details
Mechanical life	Contact STI for details
B10d	Contact STI for details
Diagnostic coverage (%)	Contact STI for details
Retention force	Contact STI for details
Shock & vibration (IK)	Contact STI for details
ROHS	Certificate available on request
REACH	Certificate available on request
Conflict mineral	Certificate available on request

OPTIONS

- Refer to the page key function
- Consignment key (pocket key)
- Switch 20-1C (standard) - Switch function in key free position
- Without flip cap
- Not painted
- Multi-clasp for padlock
- High Temperature (not painted, without switch and flip cap)
- Emergency release system (DEU)

APPLICATION

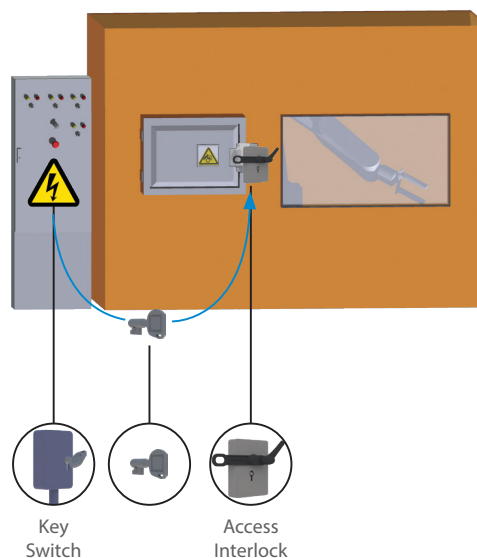
A typical application of the NX Access Interlock with trapped key in machine guarding with full body access.

The NX latch lock can be used as part of a safety system, which ensures a machine is shut down, before access to the hazardous area is allowed.

The system involves an RTK*E key switch for the electrical supply, to isolate the electrical supply to the machine. This key is taken to the NX Access Interlock and inserted into the lock.

This allows the release of the personnel key and then the latch can be release. The personnel key is then taken into the area by the operative to safeguard themselves against accidental lock in and start up.

The machine cannot be restarted until the personnel key is returned, the latch is replaced and the isolation key is removed and taken to the RTK*E key switch.

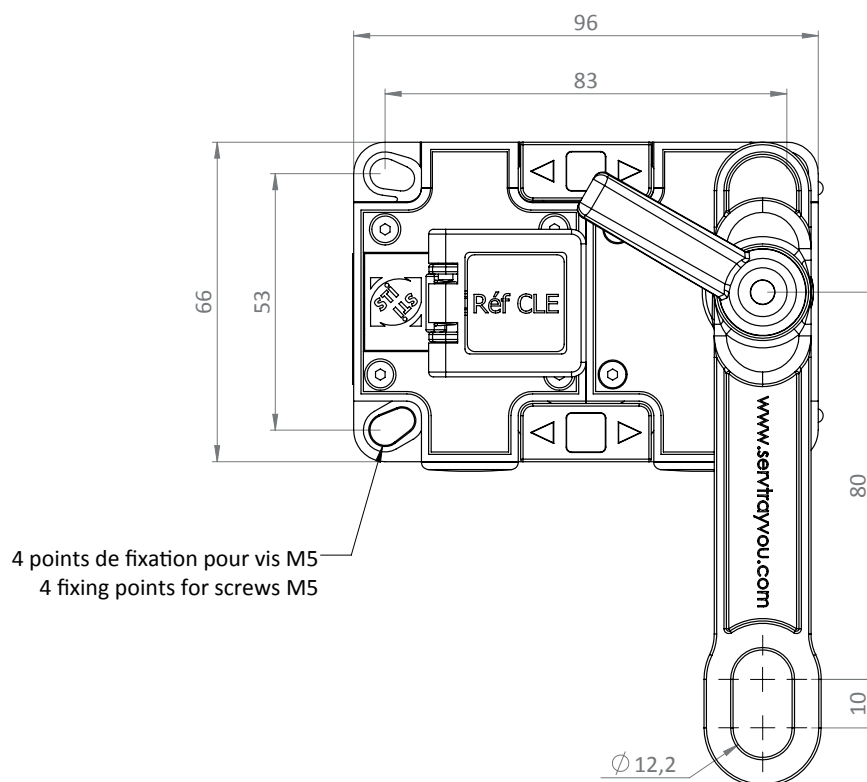
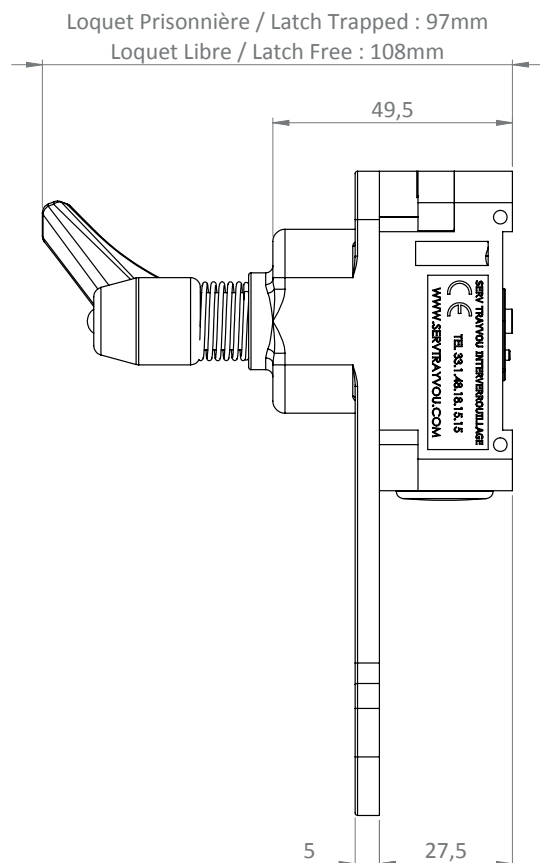


DRAWING

Dimensions: in mm

Note: For safe mounting, use security screws

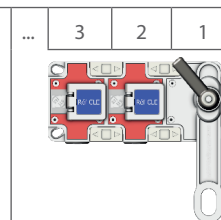
NX Access



ORDER INFORMATION

	Component type	No. of entries	0	1	2	3	4	5
Part number	NX							
Example	NX	2	0	L85	BT	NS	0	0

1	Locking element	L85 = Standard latch lock C20 = Chain key lock 20cm C60 = Chain key lock 60cm LTC = TC latch lock LTS = T standard latch lock ECH = Exchanger lock
2	Function of lock	The function determines the position of the keys (present or absent). Please see table FUNCTION
3	Presence of contact	NS = No contact FS = Contact in front BS = Contact at back
4	Position of contact	From 1 to 5 which represents the position of the contact on the module starting from the right
5	No. of order	For dedicated applications. This number is assigned by STI for a suitable product



ACCESSORIES

- Standard latch L85
- Chain Key CK
- Triangular latch without consignment LT
- Latch with consignment LTC

CONTACT INFORMATION

Serv Trayvou

1 ter rue du Marais
93100 MONTREUIL
France

t : +33 (0)1 48 18 15 15

f : +33 (0)1 48 59 68 50

e : sales@servtrayvou.com